



FLUSH SASH 70

Where beautiful design meets exceptional performance in PVCu windows.



KÖMMERLING®

PERFECT WINDOW AND DOOR ENGINEERING

KÖMMERLING. Tried, Tested and Trusted.

At first glance, PVCu windows and window profiles look very similar. However, on further inspection, you'll soon come to discover that their quality characteristics can differ considerably. KÖMMERLING as a window systems manufacturer enjoys an unrivalled global reputation for our high quality products and advanced technologies and was founded back in 1897 by Karl Kömmerling.

In the first years of our long history, the KÖMMERLING Company manufactured adhesives and synthetic rubber. In 1957 we commenced PVCu roller shutter manufacturing operations and in 1967 entered the window market by starting to produce high quality PVCu window profiles.

Decades of know-how are incorporated in the window system production operations and we soon evolved into a leading systems supplier. The latest system generation of KÖMMERLING Flush Sash with chamfered or ovolo detailing sets unique standards of performance in a PVCu window. It incorporates our comprehensive expertise, decades of research and development work, state-of-the-art CAD and 3D computer modelling and countless tests. This revolutionary window system reflects our commitment to offering best-in-breed products for our customers.



Company founder
Karl Kömmerling



FLUSH SASH KEY FEATURES

- Designed to meet the new 2022 building regulations.
- Readily achieves a U-value of 1.2 (W/m²K).
- Engineered for the latest seamless and welding technologies.
- Available in a wide range of single and dual finishes
- Additional finishes available on a short leadtime.
- Can be integrated with both KÖMMERLING C70 and O70 platforms.



MORE LIGHT, HEALTHIER LIFE

KÖMMERLING Flush Sash. The perfect life investment.

Light is essential to human survival. It makes us feel happy and enhances our sense of general well-being and that's why a well-lit and inviting interior is an important aspect of an ideal living environment.

Our KÖMMERLING 70 window and door system helps you to fulfil your need for a light enriched living environment with a well ventilated atmosphere. It also makes optimum use of sunlight to reduce heating costs, even when the outdoor temperature is cold.



KEEPING YOU WARM, WHATEVER THE WEATHER

Highly engineered, energy saving windows.

Saving energy makes sense, as it puts extra money in your pocket and is good for the environment. KÖMMERLING Flush Sash is a proven PVCu window and door system with far better levels of energy efficiency than timber windows and first generation PVCu windows.

Three aspects play an important role in window heat insulation: the profile's heat insulating properties, the insulating glass with edge sealant and the wall fixings. KÖMMERLING 70 is class leading when it comes to energy efficiency, helping to keep your home both warm and secure.



FLUSH SASH WINDOW

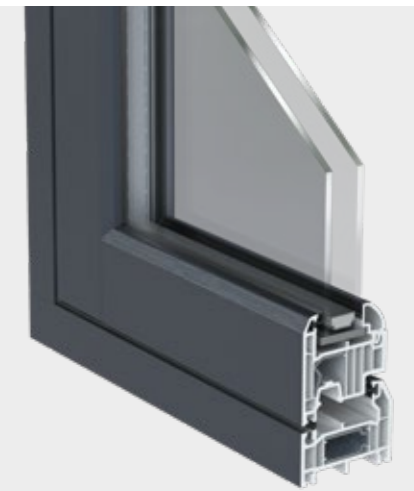
Where modern meets traditional.

Our flush sash window inside and out is packed with heritage features offering consumers the benefit of high performance PVCu window design with the detailing of yesteryear. Traditional butt joints and a wide range of period inspired finishes help transform the overall appeal with the added benefit of tear drop or monkey tail handles in a number of finishes.

Other features include a plant on Georgian bar and the opening sash itself is one of the most energy efficient and well-designed in it's class.



- Traditional colours include Flat White and the period inspired foiled finishes of White Ash, Cream, Irish Oak, and Painswick.
- This 70 mm platform with a 7 chambered sash offers better thermal and sound reduction properties than other similar 70mm windows of this type. U-value of 1.2 W/(m²k) can be readily achieved.
- This window can be either welded or mechanically jointed to create a traditional timber appearance.



- Modern colours include Flat White, Anthracite Grey and Smooth Slate Grey. You can of course use some of the heritage finishes as an alternative.
- Traditional and modern glazing bead options from 24 mm to 44 mm as standard.
- Overall design makes for a balanced window with better load distribution.

FLUSH SASH WINDOW

With contemporary appeal.

This KÖMMERLING flush sash window can be equally adept for more contemporary design appeal by the use of modern window hardware, finish and overall window design. With grey the latest in vogue finish on the outside, with a neutral white on the inside we now offer Anthracite Grey and smooth Slate Grey as stock finishes. With chrome or brushed stainless handles this makes for the perfect modern statement of a home.

Window design has evolved in recent years, with more use of large openings, helping to accommodate larger areas of glass that can be achieved particularly well with the KÖMMERLING Flush Sash. Large side openers and fixed lights offer perfect window symmetry and the maximum passage of light. These windows also offer perfect architectural appeal, whatever the property and location.





OUTSTANDING WINDOW AND DOOR CREDENTIALS

KÖMMERLING Flush Sash. With market leading design.

KÖMMERLING 70 is uncompromisingly good. It offers you all the benefits of a modern PVCu window, from cutting edge technological design to function, along with outstanding performance credentials and sympathy to the environment. It is also designed to satisfy future needs and requirements.



Ease of care

The high quality surfaces are extremely weather resistant and easy to clean.



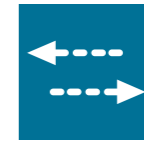
Convenience in use

All the latest fittings technology and all current opening concepts are possible for simplicity and convenience in use.



Heat insulation

The 7 chambered sash profile combines with the highly engineered frames helps improve the overall insulation of the window.



Ventilation - optimised

KÖMMERLING has an optimised ventilation programme that ensures a pleasant climate in the living environment.



Sound insulation

Combined with high quality functional glazing, the KÖMMERLING Flush Sash system provides optimum sound insulation up to 42 dB.



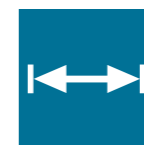
Value

High quality, premium and environmentally friendly PVCu profiles that use a greenline lead free compound, to ensure durability and enhance the value of your property.



Intruder protection

The window profiles are designed for the use of special security fittings and additional anti-burglary measures.



70 mm

The window profile expanded depth doesn't just enhance the appearance of a new building, it is also perfect for renovation projects with heritage design features and enhanced energy saving requirements.



Seal tightness

The innovative seal levels keep out draughts, dust and rain to create a pleasant living environment.



Design

Slim profiles enlarge the transparent glass surface. They are also available in a comprehensive range of foil laminate colours, in wood finishes, in plain colours, and with an aluminium exterior for architectural appeal.



Recycling and sustainability

KÖMMERLING and its parent company profine, leads by example when it comes to caring for the environment with industry leading recycling policies and the ISO 14001:2015 standard.



Stability

Optimally dimensioned steel reinforcements deliver perfect window statics in terms of stability and long-term performance.



2021-2022 COLOUR PROGRAMME

The following colours and woodgrains form part of our 2021-2022 range and benefit from an upgraded surface. For other options please speak to your local KÖMMERLING partner.

INSPIRING COLOURS AND RICH WOODGRAINS

KÖMMERLING Flush Sash. We've got it covered.

It is the windows that are decisive in lending your building that unique and unmistakable character. Besides size and shape, the colour scheme in particular and elegance of the materials play a vital role.

KÖMMERLING Flush Sash is your key to a playground of huge design potential. This universal system offers an unrivalled number of finishes whether for new buildings or as a solution matching the style of renovated historical buildings. Specifically, architects, local design partners and installers find in this system the maximum freedom they need to design a new look to the fabric of any property or apartment.



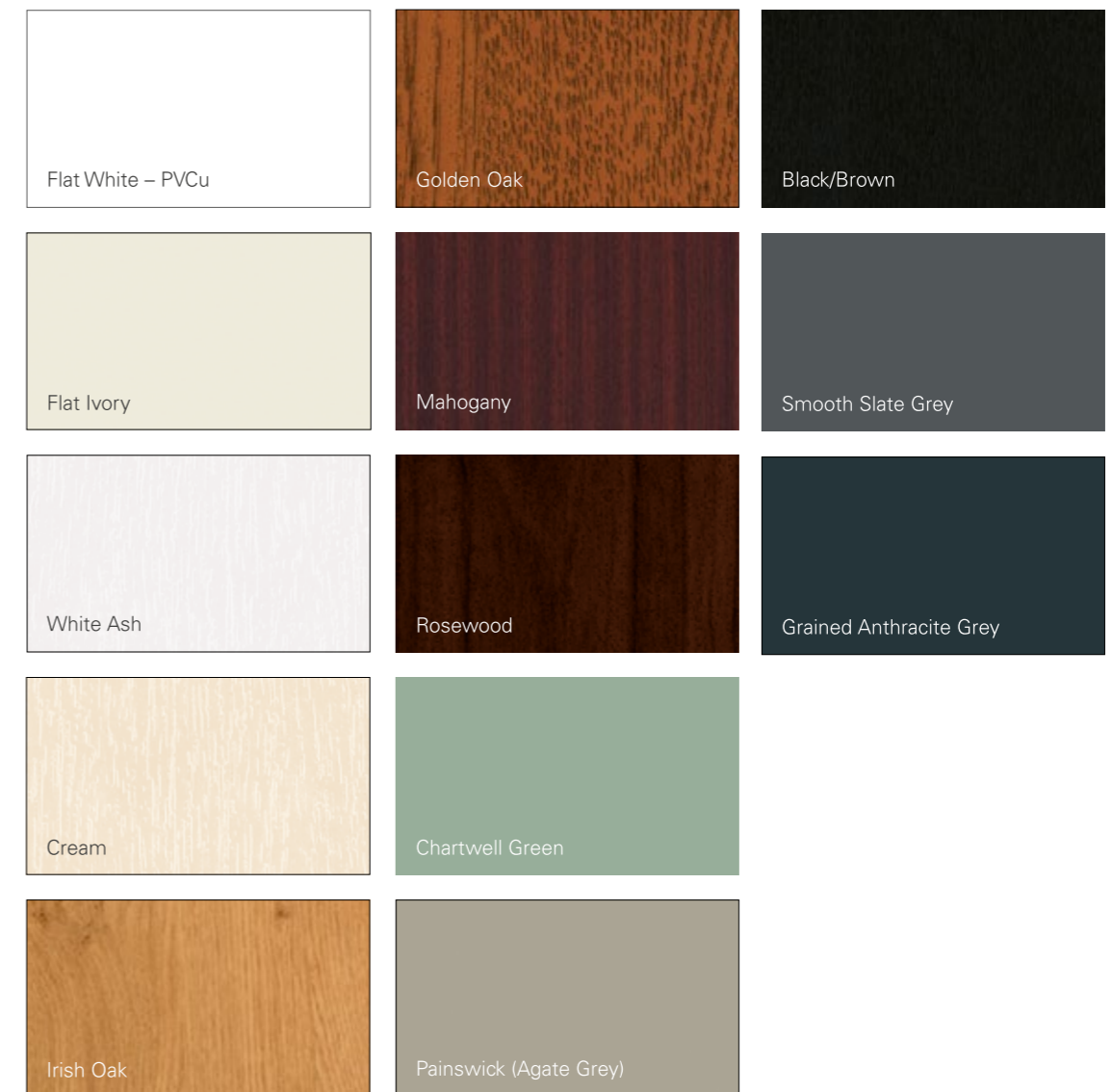
Flat white

White is a timelessly elegant and neutral colour and because of the quality of PVCu from KÖMMERLING, KÖMMERLING Flush Sash is extremely weather resistant, retaining its smooth, glossy surface. It is also easy to clean.



Foiled finishes

There are both coloured and grained foils within our range for both period inspired installations and those with a more contemporary appeal. You can also look to the benefits of dual colours for even more design freedom.



RECYCLING AND SUSTAINABILITY

KÖMMERLING Flush Sash. The green window.

KÖMMERLING Flush Sash is designed according to green principles that underpin the KÖMMERLING brand and profine Group. Optimum function and insulation values, plus the best possible use of materials, are the objectives that we have achieved with this new system generation. As little as possible and as much as necessary is the best motto for sustainable environmental protection. This is the only way to conserve valuable natural resources.

KÖMMERLING Flush Sash is also made of a PVCu that has the greenline label. In other words, no lead has been used to stabilise the PVCu. Instead, an environmentally friendly calcium-zinc based stabiliser has been used. And what happens at the end of its life cycle? The old window components are used to make new ones. Our recycling initiative facilitates a sustainable materials cycle. When the proEnergyTec profiles are filled with a foam, only green propellants are used and so during the recycling process, the foam and PVC can be cleanly separated from each other.



greenline 



YOUR WINDOW TO A BETTER WORLD

You are contributing to making the world a better and more worthwhile place to live in through helping people, protecting the natural environment and safeguarding the future for generations to come.

In a world facing major challenges we are taking responsibility and contributing to solutions with the foundation, "KÖMMERLING Better World Stiftung". We are involved in many charitable causes and support a wide variety of projects. We hope we can motivate you to join us in our mission to make the world a better place. Even with a small gesture, you can make a big difference.



Dr. Peter Mrosik, owner and CEO of profine Group and KÖMMERLING.

profine UK Ltd.

Tel. +44 (0)1543 444 900
enquiries@kommerling.co.uk
www.kommerling.co.uk